

LiTec Series

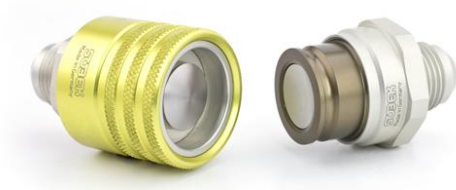
Dry Break Couplings

Available in two versions:

- as a standard coupling system with a lock or as
- dispenser/receiver system for oil/water and fuel application where locking of the coupling is not intended.

LiTec with lock

Lightweight, small-sized and high-pressure qualified quick connect and disconnect couplings for hydraulic, pneumatic fuel and other applications.



- Dry Break System, no-spillage
- Male and female end
- One-hand operation, push-pull operating system
- Totally covered and sealed mechanism
- Control of correct lock condition

Material:

- Body and valves anodized aluminum alloy EN AW-7075
- Male housing hc, locking parts, bolt and springs stainless steel 1.4305

LiTec without lock



Seals:

- FPM (Fluorocarbon, Viton®)
- EPDM (Ethylene-propylene-diene (monomer) rubber)
- other elastomers on request

Operating pressure:

- 150 bar / 2200 psi

Burst pressure:

- Min. 450 bar / 6500 psi (also for the disconnected valves)

Operating temperatures depending on sealing material:

- FPM: -20°C to +200°C
- EPDM: -50°C to +150°

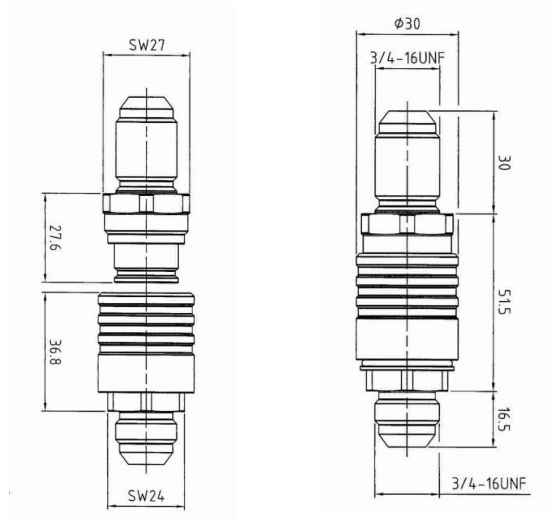


With lock

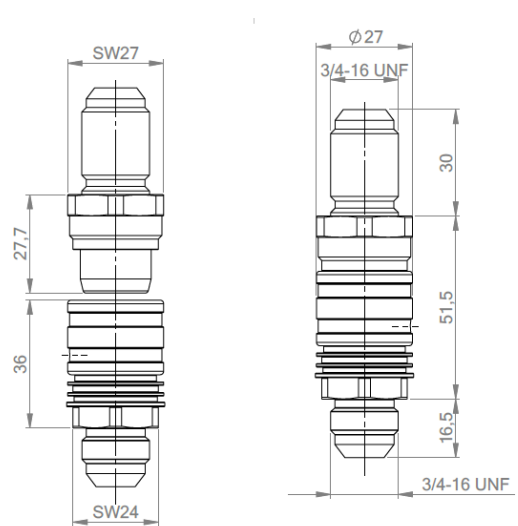
Without lock

Technical drawings

LiTec with lock
Body -06 / Thread -08

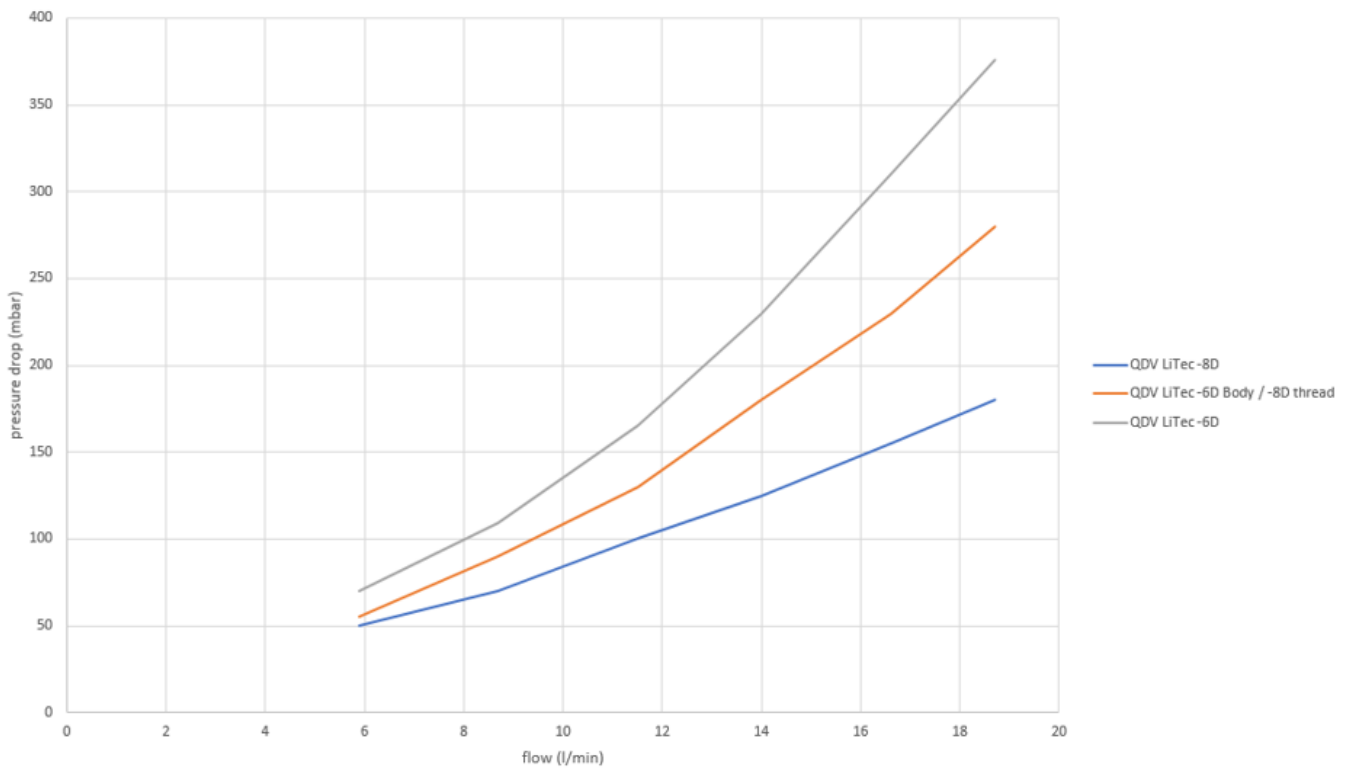


LiTec without lock
Body -06 / Thread -08



Measurements

Pressure drop LiTec series



LiTec Series with lock

The QDV couplings listed in this section all have a lock.

Coupler -08 – with lock



Coupler Standard -08/-08



Coupler Bulk -08/-08

Article-no.	Variant	Seal	Body	Thread	Part	Lock
Z-Q 0001 8040	Standard	FPM	-08	3/4 – 16 UNF (-08)	Coupler	with lock
Z-Q 0001 8041	Standard	EPDM	-08	3/4 – 16 UNF (-08)	Coupler	with lock
Z-Q 0001 8061	Bulk	EPDM	-08	3/4 – 16 UNF (-08)	Coupler	with lock

Coupler -06 – with lock



Coupler Standard-06/-08



Coupler Standard-06/-06



Coupler Bulk -06/-06

Article-no.	Variant	Seal	Body	Thread	Part	Lock
Z-Q 0001 8042	Standard	FPM	-06	3/4 – 16 UNF (-08)	Coupler	with lock
Z-Q 0001 8043	Standard	EPDM	-06	3/4 – 16 UNF (-08)	Coupler	with lock
Z-Q 0001 6040	Standard	FPM	-06	9/16 – 18 UNF (-06)	Coupler	with lock
Z-Q 0001 6041	Standard	EPDM	-06	9/16 – 18 UNF (-06)	Coupler	with lock
Z-Q 0001 6060	Bulk	FPM	-06	9/16 – 18 UNF (-06)	Coupler	with lock
Z-Q 0001 6061	Bulk	EPDM	-06	9/16 – 18 UNF (-06)	Coupler	with lock

Nipple -8 – with lock



Nipple Standard -08/-08



Nipple Bulk -08/-08

Article-no.	Variant	Seal	Body	Thread	Part	Lock
Z-Q 0001 8020	Standard	FPM	-08	3/4 – 16 UNF (-08)	Nipple	with lock
Z-Q 0001 8021	Standard	EPDM	-08	3/4 – 16 UNF (-08)	Nipple	with lock
Z-Q 0001 8030	Bulk	FPM	-08	3/4 – 16 UNF (-08)	Nipple	with lock
Z-Q 0001 8031	Bulk	EPDM	-08	3/4 – 16 UNF (-08)	Nipple	with lock

Nipple -6 – with lock



Nipple Standard -06/-08



Nipple Bulk -06/-08



Nipple Standard -06/-06



Nipple Bulk -06/-06

Article-no.	Variant	Seal	Body	Thread	Part	Lock
Z-Q 0001 8023	Standard	FPM	-06	3/4 – 16 UNF (-08)	Nipple	with lock
Z-Q 0001 8022	Standard	EPDM	-06	3/4 – 16 UNF (-08)	Nipple	with lock
Z-Q 0001 8032	Bulk	FPM	-06	3/4 – 16 UNF (-08)	Nipple	with lock
Z-Q 0001 8033	Bulk	EPDM	-06	3/4 – 16 UNF (-08)	Nipple	with lock
Z-Q 0001 6020	Standard	FPM	-06	9/16 – 18 UNF (-06)	Nipple	with lock
Z-Q 0001 6021	Standard	EPDM	-06	9/16 – 18 UNF (-06)	Nipple	with lock
Z-Q 0001 6030	Bulk	FPM	-06	9/16 – 18 UNF (-06)	Nipple	with lock
Z-Q 0001 6031	Bulk	EPDM	-06	9/16 – 18 UNF (-06)	Nipple	with lock

Dust Caps– suitable for Nipple with lock



Body -6 and -8

Article-no.	Seal	Body	Lock
Z-Q 0001 8102	FPM	-08	with lock
Z-Q 0001 6100	FPM	-06	with lock

LiTec Series without a lock

The QDV couplings listed below all have no lock. For applications where locking is not intended.

Dispenser -6 – without lock



Dispenser Standard -06/-06

Article-no.	Variant	Seal	Body	Thread	Part	Lock
Z-Q 0001 8046	Standard	FPM	-06	3/4 – 16 UNF (-08)	Dispenser	without lock

Receiver -6 – without lock



Receiver Standard -06/-08



Receiver Bulk -06/-08



Receiver Standard -06/-06



Receiver Bulk -06/-06

Article-no.	Variant	Seal	Body	Thread	Part	Lock
Z-Q 0001 8024	Standard	FPM	-06	3/4 – 16 UNF (-08)	Receiver	without lock
Z-Q 0001 8025	Standard	EPDM	-06	3/4 – 16 UNF (-08)	Receiver	without lock
Z-Q 0001 8034	Bulk	FPM	-06	3/4 – 16 UNF (-08)	Receiver	without lock
Z-Q 0001 8035	Bulk	EPDM	-06	3/4 – 16 UNF (-08)	Receiver	without lock
Z-Q 0001 6022	Standard	FPM	-06	9/16 – 18 UNF (-06)	Receiver	without lock
Z-Q 0001 6023	Standard	EPDM	-06	9/16 – 18 UNF (-06)	Receiver	without lock
Z-Q 0001 6024	Bulk	FPM	-06	9/16 – 18 UNF (-06)	Receiver	without lock
Z-Q 0001 6025	Bulk	EPDM	-06	9/16 – 18 UNF (-06)	Receiver	without lock

QDV LiTec Overview

Article-no.	Variant	Seal	Body	Thread	Part	Lock
Z-Q 0001 8040	Standard	FPM	-08	3/4 - 16 UNF (-08)	Coupler	with lock
Z-Q 0001 8041	Standard	EPDM	-08	3/4 - 16 UNF (-08)	Coupler	with lock
Z-Q 0001 8060	Bulk	FPM	-08	3/4 - 16 UNF (-08)	Coupler	with lock
Z-Q 0001 8061	Bulk	EPDM	-08	3/4 - 16 UNF (-08)	Coupler	with lock
Z-Q 0001 8042	Standard	FPM	-06	3/4 - 16 UNF (-08)	Coupler	with lock
Z-Q 0001 8043	Standard	EPDM	-06	3/4 - 16 UNF (-08)	Coupler	with lock
Z-Q 0001 6040	Standard	FPM	-06	9/16 - 18 UNF (-06)	Coupler	with lock
Z-Q 0001 6041	Standard	EPDM	-06	9/16 - 18 UNF (-06)	Coupler	with lock
Z-Q 0001 6060	Bulk	FPM	-06	9/16 - 18 UNF (-06)	Coupler	with lock
Z-Q 0001 6061	Bulk	EPDM	-06	9/16 - 18 UNF (-06)	Coupler	with lock
Z-Q 0001 8020	Standard	FPM	-08	3/4 - 16 UNF (-08)	Nipple	with lock
Z-Q 0001 8021	Standard	EPDM	-08	3/4 - 16 UNF (-08)	Nipple	with lock
Z-Q 0001 8030	Bulk	FPM	-08	3/4 - 16 UNF (-08)	Nipple	with lock
Z-Q 0001 8031	Bulk	EPDM	-08	3/4 - 16 UNF (-08)	Nipple	with lock
Z-Q 0001 8023	Standard	FPM	-06	3/4 - 16 UNF (-08)	Nipple	with lock
Z-Q 0001 8022	Standard	EPDM	-06	3/4 - 16 UNF (-08)	Nipple	with lock
Z-Q 0001 8032	Bulk	FPM	-06	3/4 - 16 UNF (-08)	Nipple	with lock
Z-Q 0001 8033	Bulk	EPDM	-06	3/4 - 16 UNF (-08)	Nipple	with lock
Z-Q 0001 6020	Standard	FPM	-06	9/16 - 18 UNF (-06)	Nipple	with lock
Z-Q 0001 6021	Standard	EPDM	-06	9/16 - 18 UNF (-06)	Nipple	with lock
Z-Q 0001 6030	Bulk	FPM	-06	9/16 - 18 UNF (-06)	Nipple	with lock
Z-Q 0001 6031	Bulk	EPDM	-06	9/16 - 18 UNF (-06)	Nipple	with lock
Z-Q 0001 8046	Standard	FPM	-06	3/4 - 16 UNF (-08)	Dispenser	without lock
Z-Q 0001 8024	Standard	FPM	-06	3/4 - 16 UNF (-08)	Receiver	without lock
Z-Q 0001 8025	Standard	EPDM	-06	3/4 - 16 UNF (-08)	Receiver	without lock
Z-Q 0001 8034	Bulk	FPM	-06	3/4 - 16 UNF (-08)	Receiver	without lock
Z-Q 0001 8035	Bulk	EPDM	-06	3/4 - 16 UNF (-08)	Receiver	without lock
Z-Q 0001 6022	Standard	FPM	-06	9/16 - 18 UNF (-06)	Receiver	without lock
Z-Q 0001 6023	Standard	EPDM	-06	9/16 - 18 UNF (-06)	Receiver	without lock
Z-Q 0001 6024	Bulk	FPM	-06	9/16 - 18 UNF (-06)	Receiver	without lock
Z-Q 0001 6025	Bulk	EPDM	-06	9/16 - 18 UNF (-06)	Receiver	without lock
Z-Q 0001 8102		FPM	-08		Dust cap	
Z-Q 0001 6100		FPM	-06		Dust cap	