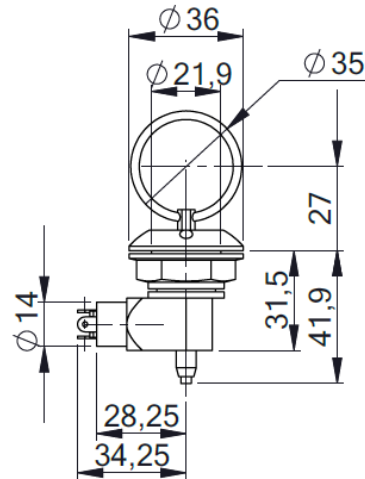


Emergency switch

This switch is designed to be installed on the exterior of the vehicle to provide anyone from the outside quick and easy access to stop the vehicle from running in the event of an accident.

Standard version:

Z-I 2005 0010: 2 poles, Ring = 35 mm
1xNO 1x NC



Z-I 2005 0015: 4 poles, Ring= 35 mm
2xNO 2x NC



Variants & Accessories

Z-I 2005 2310: 2 poles, Ring= 23 mm
1xNO 1x NC



Z-I 2005 0014: ID 35 mm
Z-I 2005 2314 ID 23 mm



FORM

- Weight: 79 g
- Material housing: aluminum EN-AW 7075
- Material switch housing: stainless steel

FIT

- Application area: interruption of ignition, activation of fire extinguisher
- Resistant to fuel, oil, hydraulic fluid, alcohol, sand, dust, solvent, extinguishant
- Installation: Position variable

FUNCTION

- Switch IP 67 IEC 60529
- Shock 15 g