

F2K Quick Disconnect Valve (QDV)

Coupler -08 Wig-200 compatible
Z-Q 0200 0015



Design	
Weight	33,8 g
Thread	-08
Wrench size	27
Flow cross-section	85 mm ²
Material	Aluminum, stainless steel

Application	
Pressure range	0-10 bar
Resistance	All common oils and cooling agents

Nipple -08 Wig-200 compatible
Z-Q 0200 0014



Design	
Weight	32,8 g
Thread	-08
Wrench size	22
Flow cross-section	85 mm ²
Material	Aluminum, stainless steel

Application	
Pressure range	0-10 bar
Resistance	All common oils and cooling agents

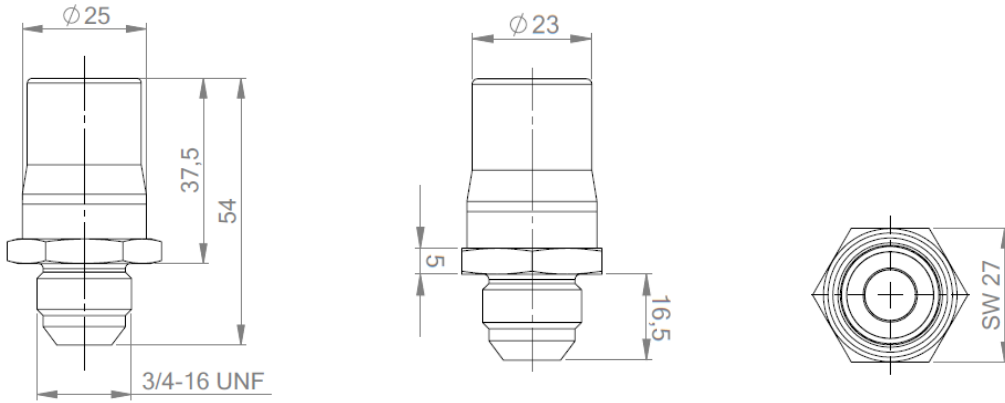
Key features

- Compatible with Adel Wiggins Series 200
- Significantly improved flow rate
- Improved media resistance

F2K Quick Disconnect Valve (QDV)

Dimensions

Coupler -08 Wig-200 compatible Z-Q 0200 0015



Nipple -08 Wig-200 compatible Z-Q 0200 0014

